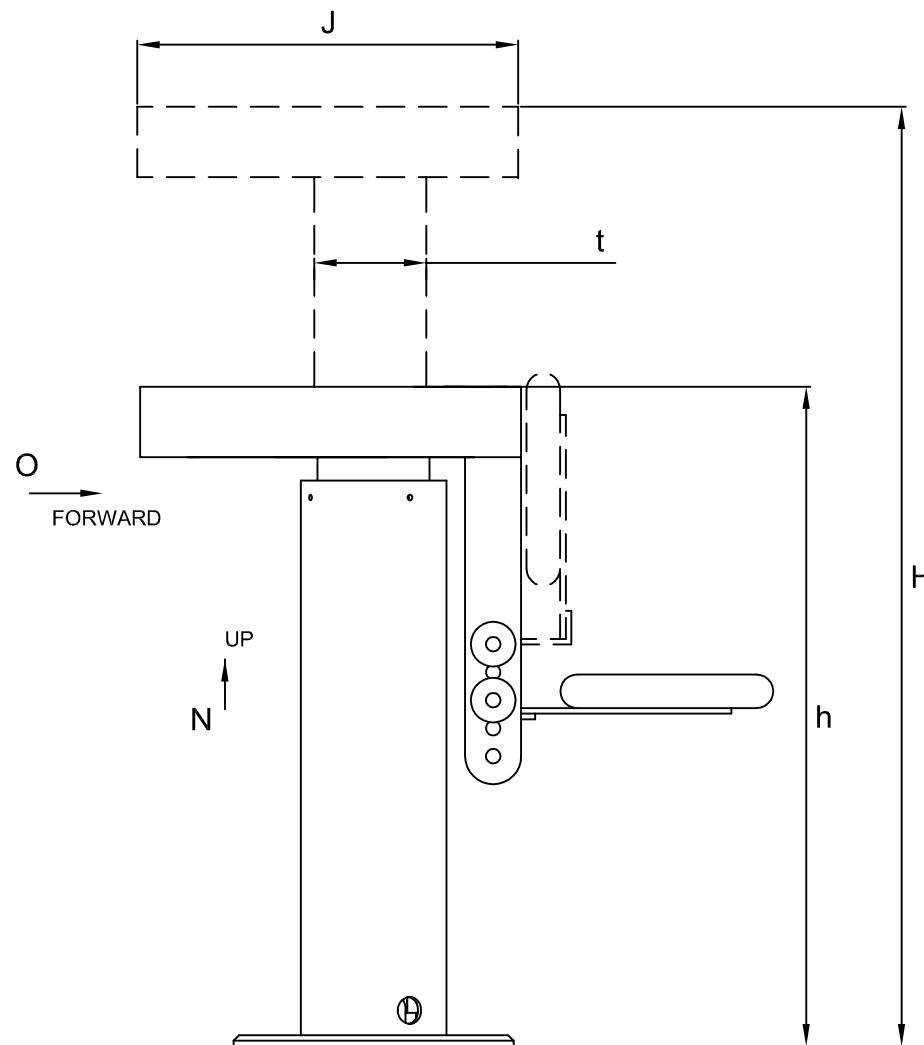
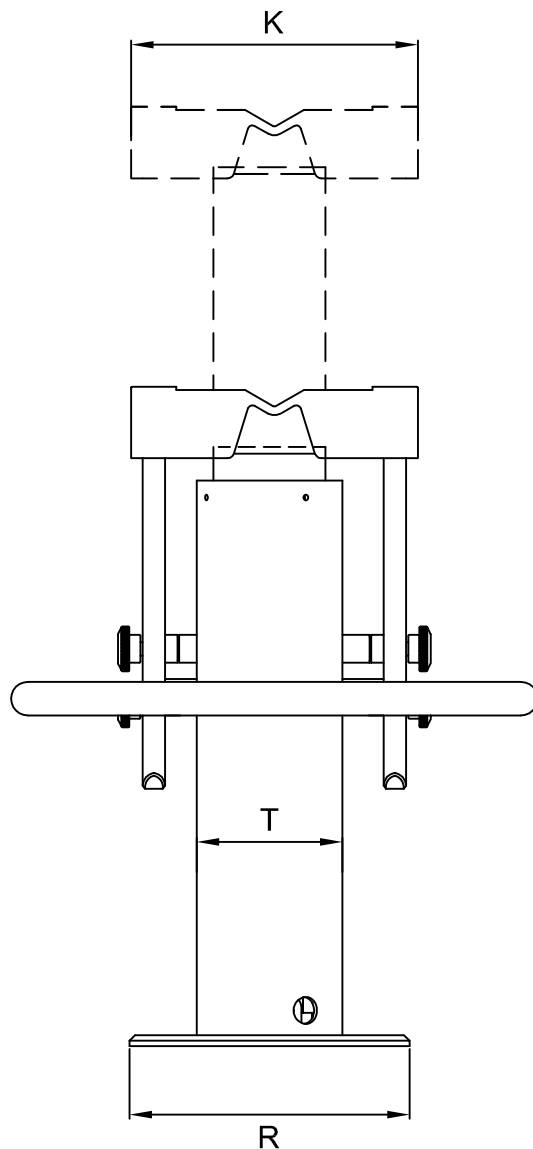


h (mm)	590
H (mm)	840
J (mm)	340
K (mm)	256
N (mm)	250
O (mm)	120
R (mm)	Ø 250
t (mm)	100
T (mm)	Ø130
Weight (Kg)	17



Product

S 316

Electric Helm Seat Pedestal